

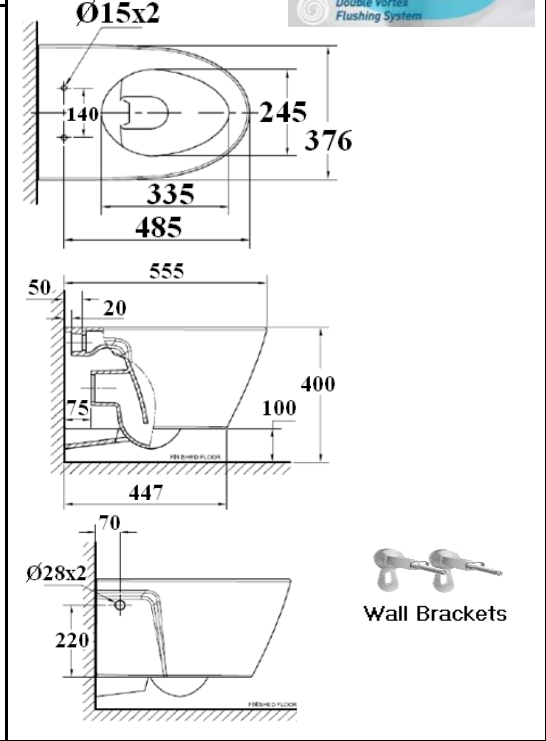
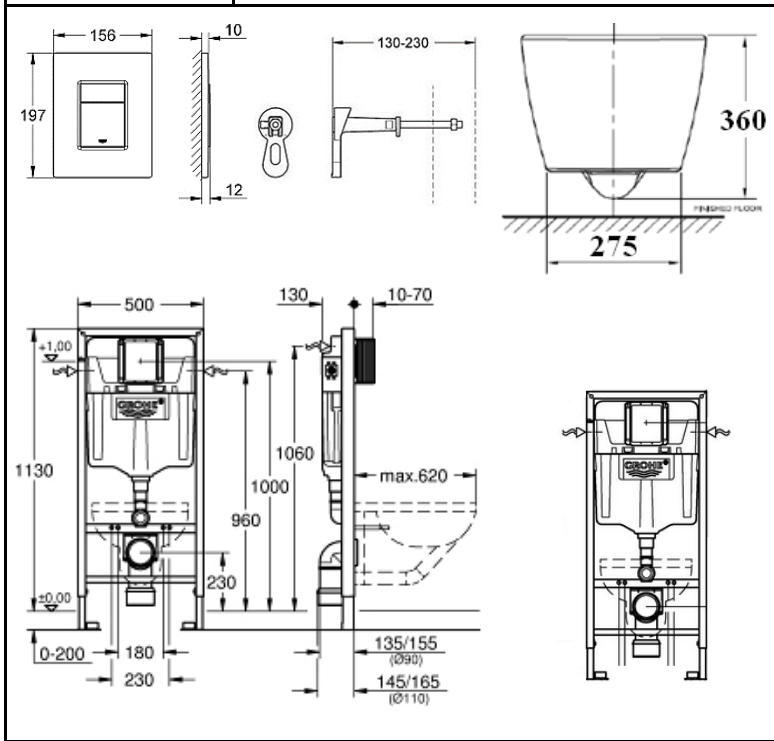


PROJECT		REF		REV	ITEM CODE	
LOCATION		DATE			PAGE	

SANITARY WARE SPECIFICATION SHEET

Item Descriptions	American Standard (Thailand) "Acacia Evolution" Wall hung double vortex watercloset with slow closing seat & cover; Aqua Ceramic & ComfortClean Technology against stain, bacteria and germs; GROHE (Germany) Rapid SL for wall hung WC with concealed flushing cistern 6L, 1.13M installation height; Skate Cosmopolitan Chrome Plated ABS wall plate for pneumatic discharge valve in the vertical orientation during installation; Wall brackets in pairs; tested on BS 3402:1969, HTM 64, BS EN 997:2012+A1:2015 & Modified ISO 22196; test report J25282A, J25282B & IMSL 2015/11/002.1B; 3/4.8 LPF & 3.2/6 LPF in WELS Grade 1 & Grade 2 ; Registration No. WC 20-0055 & WC 21-0133
Model	TF3119 (Bowl) 640000S (Seat & Cover) 38732000 (Chrome plated wall plate) 38528001 (Concealed cistern with frame) 3855800M (Wall brackets)
Material	Vitreous China
Manufacturer	American Standard (Thailand) / GROHE Limited
Supplier	Acme Sanitary Ware Co. Ltd Mr. Eric Wong/ Mr. Wilson Hung
Contact Tel/Fax	(852) 2388-7171 / (852) 2710-8012
E-mail	acme@acmesanitary.com.hk
Website	www.acmesanitary.com.hk

Illustration/ Drawing



Note: New Code : CL3119B-6DACTPT

* All information of the above is for the reference only. No prior notice is made if any changes.



自願參與用水效益標籤計劃 - 水廁
Voluntary Water Efficiency Labelling Scheme - Water Closets



茲證明
This is to certify that

(3119-WT(G1)=TF-3119)

將下列水廁在本計劃內註冊：
has registered the following water closet under this scheme :

牌 子 / Brand	: American Standard
型 號 / Model	: 3119-WT (G1)
種 類 / Category	: Water Closet Pan
原 產 地 / Country or Region Origin	: Thailand

在用水效益標籤上展示的標誌 <i>Symbolic Presentation on the Water Efficiency Label</i>	:  滴水點 <i>Water droplet(s)</i>
用水效益級別 <i>Water Efficiency Grade</i>	: 1
全沖水量 <i>Water Flush Volume (Full)</i>	: 4.8 公升/沖廁 <i>litres/flush</i>
低沖水量 <i>Water Flush Volume (Reduced)</i>	: 3.0 公升/沖廁 <i>litres/flush</i>

簽發日期:
Date of Issue: 18 June 2020

 水務署
Water Supplies Department



水務署署長(張業駒代行)
for Director of Water Supplies

- 上述水廁具額外節水功能：即：重用洗滌水作沖廁用途。
The above water closet is equipped with additional water saving feature, that is: re-use the water collected from wash basin for flushing purpose.



自願參與用水效益標籤計劃 - 水廁
Voluntary Water Efficiency Labelling Scheme - Water Closets



茲證明
This is to certify that

將下列水廁在本計劃內註冊：
has registered the following water closet under this scheme :

- 牌子 / Brand : Grohe
 - 型號 / Model : 38528001 + 42333000 + 38732XXX + 42320000
 - 種類 / Category : Water Closet Cistern
 - 原產地 / Country or Region Origin : Germany (WC Cistern & Flushing Valve)
- XXX – denotes the code of colour

- 在用水效益標籤上展示的標誌
Symbolic Presentation on the Water Efficiency Label : 滴水點 *Water droplet(s)*
- 用水效益級別
Water Efficiency Grade : 2
- 全沖水量
Water Flush Volume (Full) : 6.0 公升/沖廁 *litres/flush*
- 低沖水量
Water Flush Volume (Reduced) : 3.2 公升/沖廁 *litres/flush*

簽發日期:
Date of Issue: 22 March 2021



水務署署長(張業駒代行)
for Director of Water Supplies

+ 上述水廁具額外節水功能，即：重用洗盥水作沖廁用途。
The above water closet is equipped with additional water saving feature, that is: re-use the water collected from wash basin for flushing purpose.



DOUBLE VORTEX MAXIMUM FLUSHING PERFORMANCE, MINIMUM WATER USAGE

The design of the bowl propels the water forward and creates a strong flushing momentum.



Momentum and power are created by the design of the bowl and force of the water.



100% of the water is ejected through two water openings.



RIMLESS HYGIENIC AND EASY TO CLEAN

Double Vortex is a rimless flushing system that effectively cleans the entire bowl interior, preventing dirt and deposits from building up. This rimless design makes it easy to clean as no dirt can accumulate over time.



The resulting 'vortex' of water cleans the entire surface of the bowl.



All water flows out from the top of the bowl, cleaning the inner surface of the bowl.



Experience
Double Vortex Here



*American
Standard*

ANTI-STAIN TECHNOLOGY



Less Dirt Stains. Less Water Stains.



This award-winning super-hydrophilic technology prevents dirt and dark ring stains from sticking to ceramic surfaces. In fact, dirt glides off the surface effortlessly as Aqua Ceramic enables water to penetrate between the contaminants and the toilet surface, effectively lifting off that waste with every flush.

AQUA CERAMIC is the first material in the world that is able to address the four main issues that affect the cleanliness of toilets: scuffing and scratching, marks from waste, stains caused by prolonged exposure to hard water, and the build-up of bacteria.

The technology incorporates super-hydrophilic performance in the surface of the ceramic, which permits the rinse water to permeate beneath any waste that may have become attached to the ceramic. And as the stain relinquishes its hold, the water simply lifts it and flushes it away.



ComfortClean

Effectively kills E.Coli bacteria according to tests done with the Industrial Microbiological Service Ltd (IMSL).



COMFORTCLEAN

Effectively kills E. Coli bacteria according to tests done with IMSL.

ComfortClean Antibacterial Glaze

China Glaze

Ceramic Ware

ComfortClean Antibacterial Technology

Long-lasting Protection Against Bacteria and Germs.

American Standard ComfortClean technology: A revolutionary ceramic glaze with zinc oxide that effectively kills E. coli bacteria inside the toilet bowl for the long term and beyond, as proven in tests conducted by Industrial Microbiological Services Limited (IMSL).



ComfortClean Antibacterial Glaze is fired into the ceramic at more than 1000°C, ensuring long-lasting effectiveness.



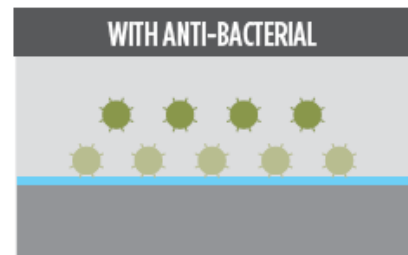
ANTI-BACTERIAL FINISH

TOTAL HYGIENE PROTECTION

American Standard's anti-bacterial finish covers all essential touch points, including the push button, seat and cover to provide an ultimate hygienic environment.



Over time, bacteria breeds on a conventional toilet's surface.



With Anti-bacterial finish, it effectively inhibits the growth of bacteria.

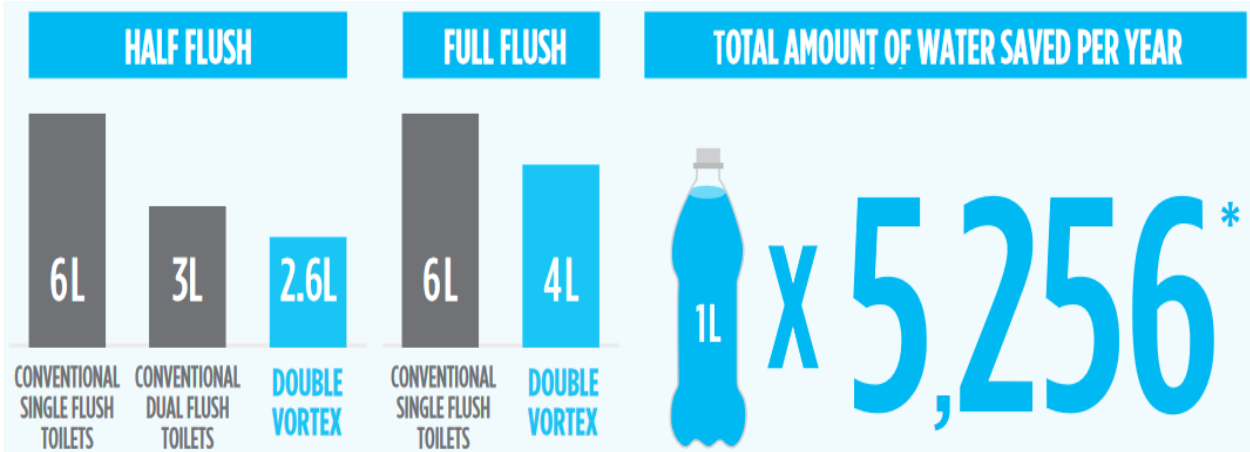
Antimicrobial test result example (24 hours later)



*Japan Industrial Standard (JIS Z 2801:2010) is the standard established by Japan Industrial Standard to test for anti-bacterial activity and efficacy.



American Standard is the first in the industry to meet the *Japan Industrial Standard (JIS Z 2801:2010) for this anti-bacterial technology on the push button. This technology is also applied on the seat and cover to provide a more hygienic environment.



LIXIL

Link to Good Living

About LIXIL

LIXIL is the most comprehensive and connected global company in the housing and building industry, delivering human-centric innovation that enhances people's living spaces – we call this Living Technology.

Delivering core strengths in water, housing, building and kitchen technologies, our brand portfolio businesses including LIXIL, INAX, GROHE, American Standard Brands and Permasteelisa are leaders in the industries and regions in which they operate, bringing better living solutions to the world today and for future generations.



The anti-bacterial innovation is applied as a glaze on ceramic wares, and is certified by the Industrial Microbiological Service Ltd (IMSL) in UK. The anti-bacterial feature cannot be removed even by household detergents, providing a lifetime of hygiene protection.

Good Design Award 2014

American Standard wins 2014 Good Design Award for its Acacia Evolution basin mixer.



**GOOD DESIGN
AWARD 2014**





PROJECT		REF		REV	ITEM CODE	
LOCATION		DATE			PAGE	

GROHE PROFESSIONAL
WORK SMARTER

GROHE WC INSTALLATIONS CONCEALED FLUSHING CISTERN FOR RAPID SL AND UNISET

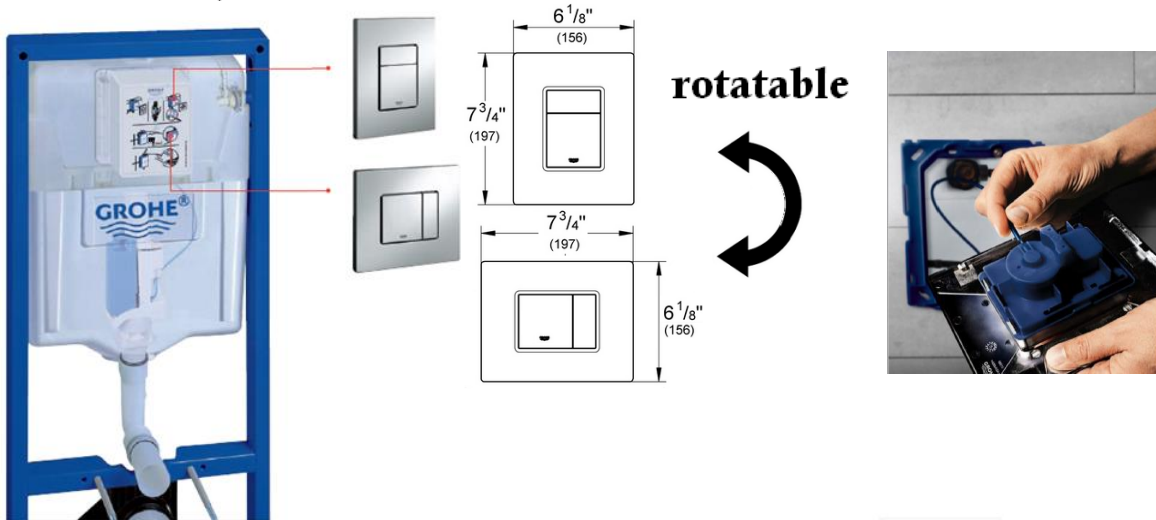
Quick connection, small actuation plates

Rapid installation and universal connections are characteristic of this concealed flushing cistern. The recess at the back of the cover for connection from the rear, as well as the other three possible connections from the top, left or right, and the water connection which can be installed most conveniently without requiring tools - this cistern leaves absolutely nothing to be desired by the plumber. Add to this the more attractive small cover plate, the security of a flushing cistern with a capacity of 6 - 9 litres and the optimum pneumatic actuation with its easy installation. All in all: considerable added value for both the plumber and the user.

The actuation plates: for time-saving installation.

The small actuation plates measuring just 156 x 197 mm are available for vertical or horizontal installation. State-of-the-art pneumatic discharge valve technology makes them real all-rounders:

Press large button = full water flow, can be interrupted by pressing the small button. Press small button = economy flush - what better way to save water!



The small GROHE cover plates for

- dual flush technology and start & stop flush on one plate (vertical or horizontal orientation)
- single flush for more security in commercial/public areas, as the full water flow helps to prevent clogged pipes.

1. Skate Cosmopolitan with 3 functions:

- Large button only: full flush.
- Small button only: economy flush.
- Small button after large button: stop flushing.

Skate Cosmopolitan in 2 versions:
 vertical or horizontal installation

2. Skate Air with single flush technology and additional start/stop feature.

To install the cover plate, insert the inspection shaft in a vertical or horizontal position. It simultaneously affords protection during the construction work and is simply cut off flush with the tiles using a knife during the final installation phase.



Colour options:

- 000 | StarLight Chrome
- DC0 | SuperSteel
- DA0 | Warm Sunset
- A00 | Hard Graphite
- AL0 | Brushed Hard Graphite
- GL0 | Cool Sunrise
- GN0 | Brushed Cool Sunrise
- DL0 | Brushed Warm Sunset
- BE0 | Polished Nickel
- EN0 | Brushed Nickel

* All information of the above is for the reference only. No prior notice is made if any changes.



PROJECT		REF		REV	ITEM CODE	
LOCATION		DATE			PAGE	

RAPID SL NOISE CONTROL ... AT THE HIGHEST LEVEL



GROHE WHISPER

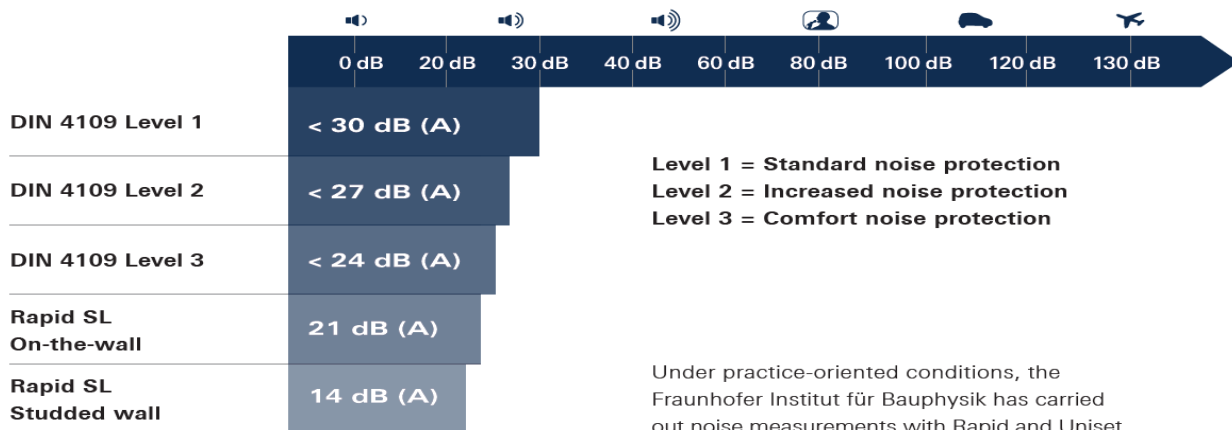
For peace, comfort and design freedom, our concealed cisterns feature GROHE Whisper technology. Thanks to decoupled pipe supports, there is no sound transfer to the structure of the building when the water is released from the cistern to the bowl. Allowing the WC to be located in the most convenient location without fear of disturbing others.

DIN 4109 describes the permitted noise levels in areas requiring protection against noise from household equipment, which must also be observed in the case of sanitary installations. The values specified in DIN 4109/A1 or DIN 4109, Supplement 2, are the generally accepted technical regulations. The renowned Fraunhofer Institute has confirmed the excellent noise-control properties of the GROHE Whisper technology in Rapid SL and Uniset in its own tests. The excellent measurement results of all products meet the requirements of DIN 4109/A1, VDI 4100 or DIN 4109, Supplement 2.

Deviating from standard noise control with 30 dB(A), DIN 4109/A1 defines:

- Increased noise control requirements with 27 dB(A)*
- Comfort noise control with 24 dB(A)*

* Applies to apartment buildings. For semi-detached and terraced houses, the values are 25/22 db(A)



The GROHE Rapid SL flush system has been recognised by the Quiet Mark scheme for a second year running. The flush and cistern refill was tested by Quiet Mark whose key mission is to drive awareness, and support the reduction of noise-related issues.

GROHE has renewed the Quiet Mark on its Rapid SL WC flush system, retaining its position as the only cistern in the industry to have the sought after mark of approval. GROHE's innovative Whisper quiet water technology delivers extremely quiet acoustics

According to a survey commissioned by Defra and Quiet House*, 78% of the UK population feels that the quality of their home life is affected by noise, with this impacting on health factors such as sleep disruption. Respondents confirmed they had been woken up, kept awake, or changed the time they went to bed or got up because of noise levels, with 47% claiming it is noise from within the home that causes the disruption



* All information of the above is for the reference only. No prior notice is made if any changes.

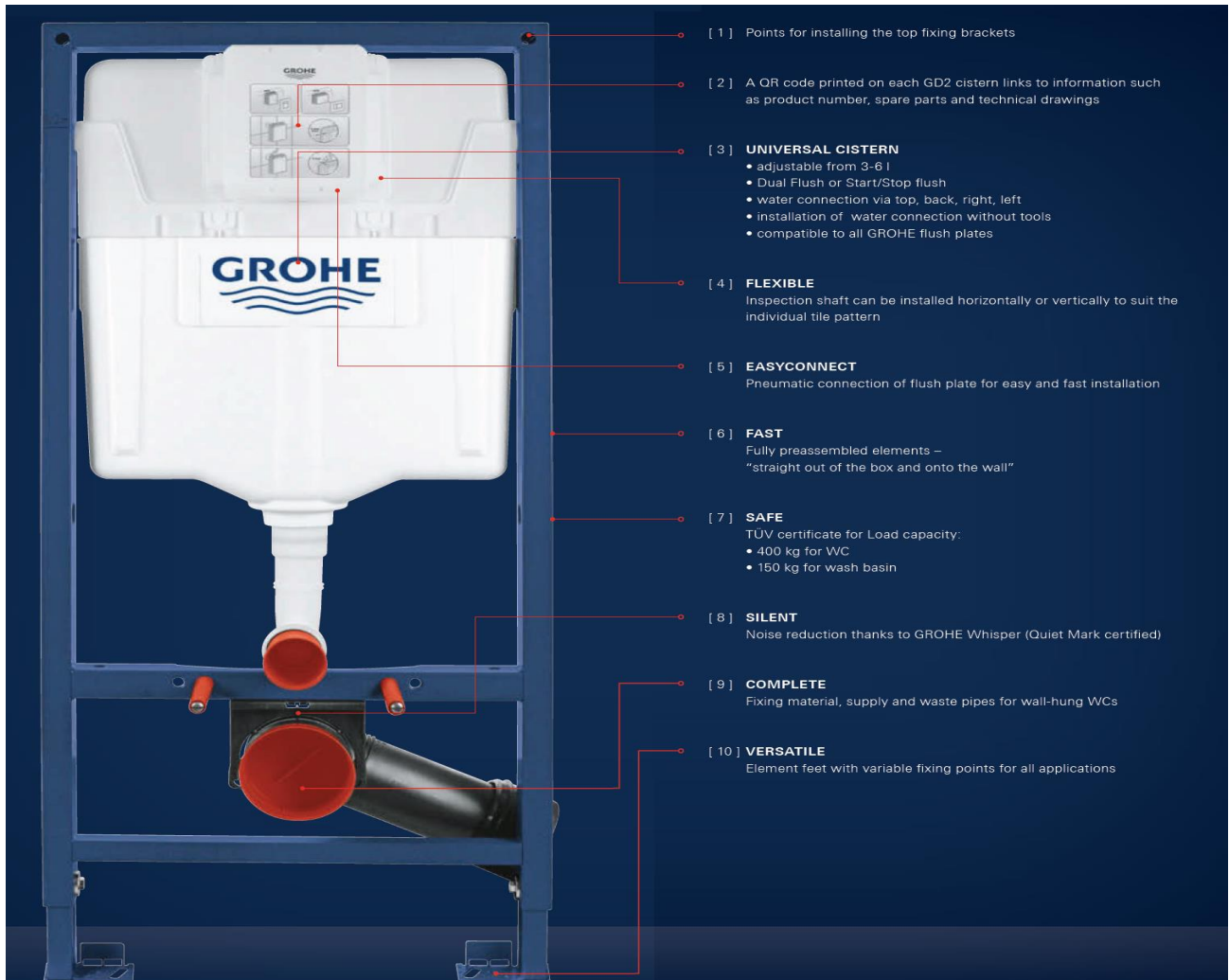


Acme Sanitary Ware Co. Ltd.

1/F, Acme Building, 22-28 Nanking Street, Kowloon, Hong Kong
 Tel: 2388 7171 Fax: 2710 8012
 Email: acme@acmesanitary.com.hk
 Website: www.acmesanitary.com.hk



PROJECT		REF		REV	ITEM CODE	
LOCATION		DATE			PAGE	



- [1] Points for installing the top fixing brackets
- [2] A QR code printed on each GD2 cistern links to information such as product number, spare parts and technical drawings
- [3] **UNIVERSAL CISTERN**
 - adjustable from 3-6 l
 - Dual Flush or Start/Stop flush
 - water connection via top, back, right, left
 - installation of water connection without tools
 - compatible to all GROHE flush plates
- [4] **FLEXIBLE**
Inspection shaft can be installed horizontally or vertically to suit the individual tile pattern
- [5] **EASYCONNECT**
Pneumatic connection of flush plate for easy and fast installation
- [6] **FAST**
Fully preassembled elements – “straight out of the box and onto the wall”
- [7] **SAFE**
TUV certificate for Load capacity:
 - 400 kg for WC
 - 150 kg for wash basin
- [8] **SILENT**
Noise reduction thanks to GROHE Whisper (Quiet Mark certified)
- [9] **COMPLETE**
Fixing material, supply and waste pipes for wall-hung WCs
- [10] **VERSATILE**
Element feet with variable fixing points for all applications



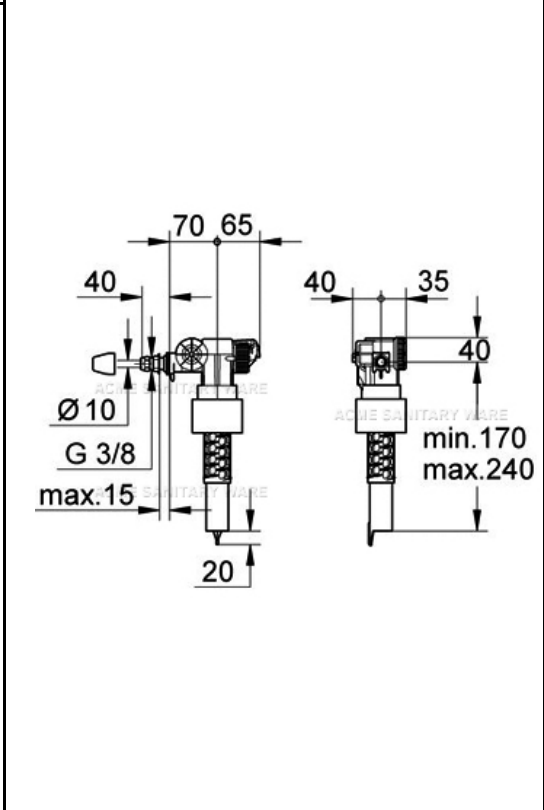
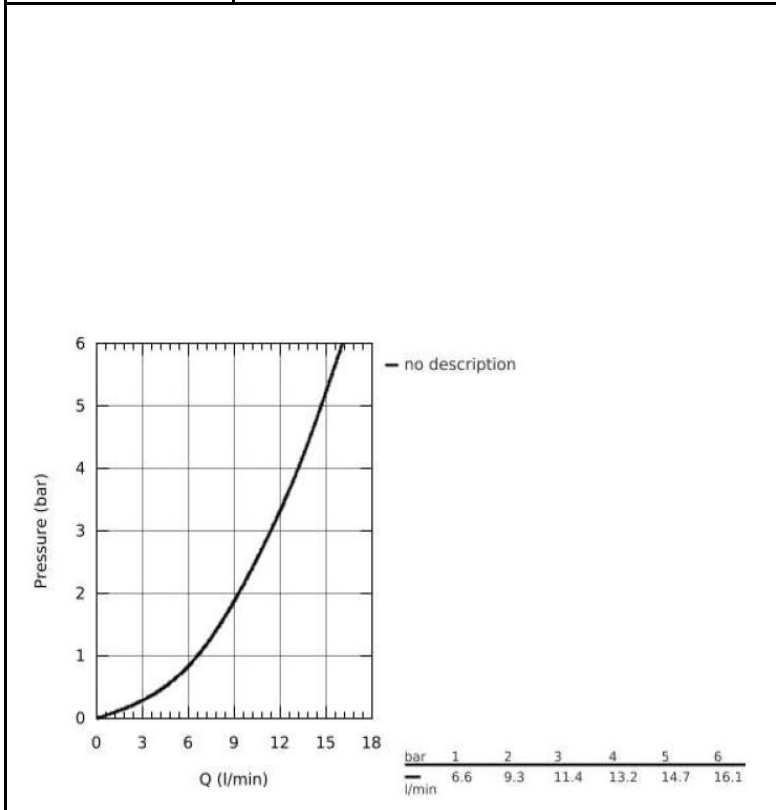
* All information of the above is for the reference only. No prior notice is made if any changes.



PROJECT		REF		REV	ITEM CODE	
LOCATION		DATE			PAGE	

SANITARY WARE SPECIFICATION SHEET

Item Descriptions	GROHE (Germany) Plastic inlet valve	Illustration/ Drawing
Model	37095000	
Finish	Plastic	
Manufacturer	GROHE (Germany)	
Supplier	Acme Sanitary Ware Co. Ltd Mr. Eric Wong/ Mr. Wilson Hung	
Contact Tel/Fax	(852) 2388-7171 / (852) 2710-8012	
E-mail Website	acme@acmesanitary.com.hk www.acmesanitary.com.hk	



Note:

* All information of the above is for the reference only. No prior notice is made if any changes.



水務署
Water Supplies Department

總部 Headquarters

干諾道七號入境事務大樓 48 樓

Room 4801, 7 Gloucester Road, Wan Chai, Hong Kong



本署檔號
Our ref.
來函檔號
Your ref.

WSD T/J(1065/2020)

電話
Tel. :
傳真
Fax. : 2824 0578

6 October 2020



Approval of "GROHE" Float Operated Valve (General Acceptance No. C20200864F)

Your letter ref. WRC/2305 dated 13 August 2020 refers.

Having considered the test report ref. J24281 issued on 30 July 2020 by Nutek Systems (HK) Limited, this Authority accepts that the fitting described below complies with, and its use when correctly installed does not contravene, the Waterworks Ordinance and Regulations.

Name of Manufacturer: Grohe AG
Country of Origin: Germany
Brand: Grohe
Details of Fitting: 3/8" Plastic float operated valve
Model: 37095000
Body Markings: 
Expiry Date: 2 June 2025



Proviso: As the fitting has not been tested for use in contact with water intended for human consumption, the fitting can only be used in flushing water plumbing system.

This Authority hereby permits the use of the above fitting in flushing water plumbing systems subject to full adherence to Waterworks installation requirements. In particular, you are required to draw your customers' attention to the following requirement-

"The flushing volume of the flushing valve should be adjusted to suit the design of the toilet bowl so that wastes can be cleared effectively by a single flush."

"The fitting should be used within the range of working pressures specified by the manufacturer." AND

"The installed fitting should not result in backflow of water that will contaminate the flushing water supply."

A condition of this acceptance is that the fitting to be installed shall be replicas of the sample as certified by the testing agent mentioned above and without modifications. This acceptance may be withdrawn at any time if the standard of the fitting installed fails to meet that of the approved sample or if the fitting is found to be unsuitable for use in flushing water plumbing systems.

For the use of the fitting in any project, the General Acceptance Number of this letter must be quoted as a means of identification of acceptance of the fitting by this Authority.

Should you have any enquiries, please contact our Engineer Mr. Terry KUNG at tel. no. 3583 4086.

Yours faithfully,



(CHAN Chung-kun)

for Director of Water Supplies

Encl.

c.c. WSD 3321/1/82] - without catalogue
ME/MC] - with soft copy only



PROJECT		REF		REV	ITEM CODE	
LOCATION		DATE			PAGE	

SANITARY WARE SPECIFICATION SHEET

Item Descriptions	GROHE (Germany) Plastic single top push flush valve	Illustration/ Drawing
Model	42320000	
Finish	Plastic	
Manufacturer	GROHE (Germany)	
Supplier	Acme Sanitary Ware Co. Ltd Mr. Eric Wong/ Mr. Wilson Hung	
Contact Tel/Fax	(852) 2388-7171 / (852) 2710-8012	
E-mail	acme@acmesanitary.com.hk	
Website	www.acmesanitary.com.hk	

Note:

** All information of the above is for the reference only. No prior notice is made if any changes.*



水務署
Water Supplies Department

總部 Headquarters

香港上環道七號入境事務大樓 48 樓

Tower, 7 Gloucester Road, Wan Chai, Hong Kong



本署檔號
Our ref.
來函檔號
Your ref.

2024 T/J(133/2024)

電話 :
Tel.
傳真 : 2824 0578
Fax.

27 February 2024



**Approval of “GROHE” Flush Valve
(General Acceptance No. C20240141F)**

Your E-Application [file-id: ETJ-GA-20240206-3] dated 6 February 2024 refers.

Having considered the test report ref. J29467 issued on 4 January 2024 by Nutek Systems (HK) Limited, this Authority accepts that the fitting described below complies with, and its use when correctly installed does not contravene, the Waterworks Ordinance and Regulations.

Name of Manufacturer: Grohe AG
Country of Origin: Germany
Brand: Grohe
Details of Fitting: 37mm Plastic dual flush valve
Model: 42320000
Body Markings: 
Expiry Date: 19 December 2028



Proviso: As the fitting has not been tested for use in contact with water intended for human consumption, the fitting can only be used in flushing water plumbing system.

This Authority hereby permits the use of the above fitting in flushing water plumbing systems subject to full adherence to Waterworks installation requirements. In particular, you are required to draw your customers' attention to the following requirement-

"The flushing volume of the flushing valve should be adjusted to suit the design of the toilet bowl so that wastes can be cleared effectively by a single flush."

"The fitting should be used within the range of working pressures specified by the manufacturer." AND

"The installed fitting should not result in backflow of water that will contaminate the flushing water supply."

A condition of this acceptance is that the fitting to be installed shall be replicas of the sample as certified by the testing agent mentioned above and without modifications. This acceptance may be withdrawn at any time if the standard of the fitting installed fails to meet that of the approved sample or if the fitting is found to be unsuitable for use in flushing water plumbing systems.

For the use of the fitting in any project, the General Acceptance Number of this letter must be quoted as a means of identification of acceptance of the fitting by this Authority.

Should you have any enquiries, please contact our Engineer Mr Albert CHOW at tel. no. 3583 4086.

Yours faithfully,



(Terry KUNG)

for Director of Water Supplies

Encl.

c.c. WSD 3321/1/82] - without catalogue
ME/MC] - with soft copy only



Test Report



3119-WT=TF3119

Test

Title: Testing of WC
 Method: Health Technical Memorandum(HTM) 64 & BS EN 997: 2012 + A1: 2015
 Report No.: J 25282A
 Completion: 13 Nov., 2020

Applicant (Information provided by client)

Name: _____
 Address: _____



Sample (Information provided by client)

Description: Wall Hung WC Pan

Brand: American Standard
 Model: 3119-WT
 Body Marking: *American Standard*

Manufacturer: LIXIL (Thailand) Public Company Limited
 Origin: Thailand

Approved Signatory

Signature: *Hing Kah Kuin*
 Name (title): Hing Kah Kuin (Engineer)
 Date: 13 May 2022

Nutek Systems is a testing agency, accepted by the Water Supplies Department, for installing water supply fittings.



REPORT NO.: J 25282A

Summary

Test	Remark
1 Dimensions of WC Pan	C
2 Static Load of Class 2 Products	C

Results (apply only to samples tested)

1 Dimensions of WC Pan

Health Technical Memorandum(HTM) 64

Variable	Measured	Required	Remark
Maximum length of WC Pan	550	520-550	C
Maximum height of WC Pan	Not applicable	475-480	Not applicable
Overall result			C

Note:

The sample is a wall-hung WC Pan, the height relative to the ground is adjustable, thus not applicable

2 Static Load of Class 2 Products

BS EN 997: 2012 + A1: 2015 Cl. 5.7.4

ID	Variable	Unit	Measured	Required	Remark
1	Force applied	kN	4.00	4.0 ± 0.05	C
	Duration	h	1	1	C
	Cracking or permanent deformation	---	No	No	C
Overall result					C

Note:

Refer to Health Technical Memorandum(HTM) 64, a load of 140kg shall be sustained, this test result also applies to HTM 64 requirements



REPORT NO.: J 25282A

Figure 1 - Top View



Figure 2 - Side View



REPORT NO.: J 25282A

General Note(s)

Definitions:

- C - conformance
- N - no requirement
- NC - non-conformance
- R - remainder

Organizations:

- WSD - Water Supplies Department (of Hong Kong)
- WHO - World Health Organization

- End of report -

Test Report



3119-WT=TF3119

Test

Title : Testing of WC Pan
 Method : BS 3402: 1969
 Report No. : J 25282B
 Completion : 19 Nov., 2020 to 27 Nov., 2020

Applicant (Information provided by client)

Name :
 Address :



Sample (Information provided by client)

Description : Wall Hung WC Pan

Brand : AMERICAN STANDARD
 Model : 3119-WT

Body Marking : *American Standard*

Manufacturer : LIXIL (Thailand) Public Company Limited
 Origin : Thailand

Approved Signatory

Signature : *H.K. Hing*
 Name (title) : Hing Kah Kuin (Engineer)
 Date : 13 May 2022

Nutek Systems is a testing agency, accepted by the Water Supplies Department, for testing water supply fittings.

REPORT NO: J 25282B

Summary

Test	Remark
1 Visual Examination	C
2 Water Absorption	C
3 Crazeing	C
4 Chemical Resistance Test	C
5 Resistance to Staining and Burning	C

Results (apply only to samples tested)

1 Visual Examination

BS 3402: 1969 Cl. 5.1 & Table 1

Location	Blemish or defect	Maximum permitted	Remark
General	Wavy finish	None on all visible surfaces	C
	Warpage	Not more than 6mm	C
	Discoloration	None on all visible surfaces	C
Flushing surface and horizontal face of rims of WC pans bidets and urinals	Spots, blister and pinholes	A total of not over three; no grouping; for coloured appliances, blister and pinhole limited to one.	C
	Bubbles and specks	Not over two in one pottery square; a total of not over four	C
	Polishing marks	One only; none permitted for coloured figures	C
Visible surfaces other than above	Spots, blisters and pinholes	A total of not over five; no grouping; for coloured appliances, no blisters are permitted and pinholes are limited to a total of two	C
	Bubbles and specks	Not over three in one pottery square; a total of not over ten	C
Overall result			C

2 Water Absorption

BS 3402: 1969 Cl. 6

ID	Weight (kg)		Absorption (%)	Required	Remark
	Before Test	After Test			
Sample 1	115.9611	116.0766	0.10	0.75% max.	C
Sample 2	115.888	116.0359	0.13		C
Sample 3	122.0004	122.1591	0.13		C
Average			0.12	0.50% max.	C
Overall result					C

3 Cracking

BS 3402: 1969 Cl. 7

ID	Variable	Unit	Measured	Required	Remark	
1	Saturated steam	MN/m ²	0.34	0.33 - 0.35	C	
	Duration	h	10	10	C	
	Cracking	Sample 1	---	No	No	C
		Sample 2	---	No		C
Sample 3		---	No	C		
Overall result					C	

4 Chemical Resistance Test

BS 3402: 1969 Cl. 8

Table 4 — Chemical solutions

Name of Chemical	Strength of solution	Time	Temperature
	%	hours	°C
Acetic acid	10	16	100
Citric acid	10	16	100
Detergent (Note 1)	(Note 1)	48	60
Hydrochloric acid	(Note 2)	48	15 to 21
Sodium hydroxide	5	0.5	60
Sodium stearate	0.15	48	60
Sulphuric acid	8	16	100

NOTE 1 This consists of an aqueous solution containing 0.04 % (ret/vol) of a condensation product of nonylphenol with 6-10 molecules of ethylene oxide. A suitable solution which contains 0.15% (ret/vol) of the product is obtainable commercially under the trade name "Lasapal N".

NOTE 2 This solution consists of equal volumes of water and of hydrochloric acid of specific gravity 1.18.

ID	Solution	Time (h)	Temperature (°C)	Measured	Required	Remark
1	Acetic acid	16	100	No Loss	No loss of reflectivity on glaze	C
	Citric acid	16	100	No Loss		C
	Detergent	48	60	No Loss		C
	Hydrochloric acid	48	20	No Loss		C
	Sodium hydroxide	0.5	60	No Loss		C
	Sodium stearate	48	60	No Loss		C
	Sulphuric acid	16	100	No Loss		C
Overall result						C

5 Resistance to Staining and Burning

BS 3402: 1969 Cl. 9

ID	Variable	Unit	Measured	Required	Remark
1	Methylene blue	---	No Stain	No stain remains	C
	Sodium hypochlorite	---	No Stain		C
	Hydrogen peroxide	---	No Stain		C
	Amyl acetate	---	No Stain		C
	Iodine in ethanol	---	No Stain		C
2	Lighted cigarette	---	No Stain		C
Overall result					C

Figure 1 - Sample



Figure 2 - Body marking





REPORT NO: J 25282B

General Note(s)

Definitions:

- C - conformance
- N - no requirement
- NC - non-conformance
- R - remainder

Organizations:

- WSD - Water Supplies Department (of Hong Kong)
- WHO - World Health Organization

- End of report -

IMSL

INDUSTRIAL MICROBIOLOGICAL SERVICES LTD

STUDY REPORT: Determination of the Antibacterial Activity of a Ceramic Glaze Formulation against *Escherichia coli* and *Staphylococcus aureus* using ISO 22196: 2011.

CLIENT:

REPORT NO: IMSL 2015/11/002.1B

DATED: 21st December 2015



Study: Determination of the Antibacterial Activity of a Ceramic Glaze Formulation against *Escherichia coli* and *Staphylococcus aureus* using ISO 22196: 2011.

Number: IMSL 2015/1/002.1B

Client:

The above study was conducted in the laboratories of Industrial Microbiological Services Ltd at Pale Lane Hartley Wintney, Hants, RG27 8DH, UK. This report represents a true and accurate account of the results obtained.

Start Date 14th December 2015


Report Issued 21st December 2015

Supervisor Kyle Allison
Senior Microbiologist



Operator Richard Webb
Microbiologist



IMSL		INDUSTRIAL MICROBIOLOGICAL SERVICES LTD					
CERTIFICATE OF ANALYSIS		CERTIFICATE NO.		1029047.1B			
CUSTOMER		CUSTOMER REF.					
SAMPLE DETAILS		DATE RECEIVED		14-Dec-15			
Ceramic Tile							
METHOD: (Determination of Antibacterial Activity using Modified ISO 22196)							
DATE ANALYSED		15-Dec-15		DATE REPORTED		21-Dec-15	
RESULTS (AS CFU CM -2)							
SAMPLE		CONTACT TIME		LOG REDUCTION	% DIFFERENCE		
		0	24				
Polypropylene	<i>E. coli</i>	1.5E+04	2.4E+05	-	-		
IMSL Tile	<i>E. coli</i>	1.5E+04	1.9E+05	-	-		
Blank Tile	<i>E. coli</i>	1.5E+04	6.0E+04	-	-		
Treated Sample	<i>E. coli</i>	1.5E+04	2.9E+02	2.4	99.57%		
Polypropylene	<i>S aureus</i>	1.5E+04	5.2E+03	-	-		
IMSL Tile	<i>S aureus</i>	1.5E+04	7.3E+03	-	-		
Blank Tile	<i>S aureus</i>	1.5E+04	3.8E+03	-	-		
Treated Sample	<i>S aureus</i>	1.5E+04	1.6E+03	0.4	58.06%		
The above data shows the difference in the population following contact with the surface of the Treated Sample for 24 hours at 35°C under a RH of > 95% relative to the population recovered from the Blank Tile.							
NS = Poor survival on control supplied.							
INDUSTRIAL MICROBIOLOGICAL SERVICE LTD PALE LANE HARTLEY WINTNEY HANTS RG27 8DH UK				PETER D ASKEW MANAGING DIRECTOR			
							
Industrial Microbiological Services Ltd Registered in England No 3284423 Registered Office: Hartley Wintney, Pale Lane, Hartley Wintney, Hampshire, RG27 8DH, UK							

